






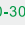






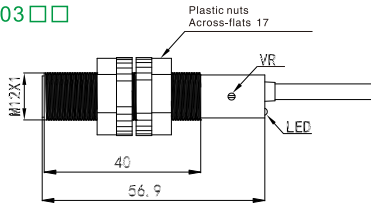
Appearance								
Mounting	Shielded			Unshielded				
Housing size	M12	M18	M30	M12	M18	M30		
Sensing distance	1~3mm adjustable	2~8mm adjustable	2~20mm adjustable	1~6mm adjustable	2~15mm adjustable	2~30mm adjustable		
Housing material	PBT							
Operating voltage	10~30V DC(Ripple < 10%)							
Voltage drop	< 2V							
Load Current, Max	150mA	300mA		150mA	300mA			
Current consumption	< 10mA							
Leakage current	< 0.01mA							
Switch frequency	100Hz							
Repeat accuracy	< 5% (Sr)							
Hysteresis	< 15% (Sr)							
Sensing surface material	PBT							
Operating Temperature	-25°C~+75°C							
Protective circuit	Short circuit							
Degree of protection	IP67							
Model No.	NPN Normally open	CKF12-03 	CKF18-08 	CKF30-20 	CKN12-06 	CKN18-15 	CKN30-30 	
	Others	 :NPN Normally open		 :NPN Normally closed		 :PNP Normally open		 :PNP Normally closed

- Fiber Optic
- Slot Sensors
- Photoelectric
- Laser
- Proximity**
- Displacement
- Magnetic
- Contact
- Area
- Ultrasonic
- Vision
- Vibration
- Temperature
- Annexes

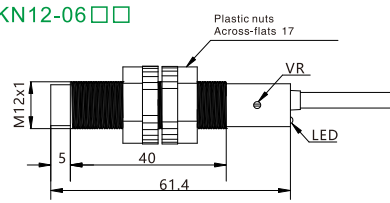
Dimensions-Plastic Shells (Unit:mm)

M12

CKF12-03

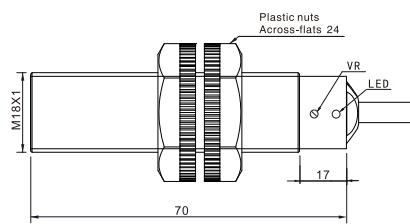


CKN12-06

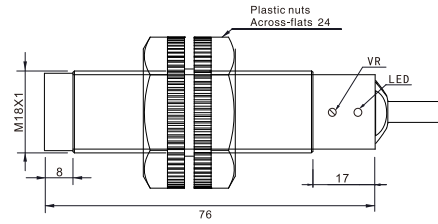


M18

CKF18-08

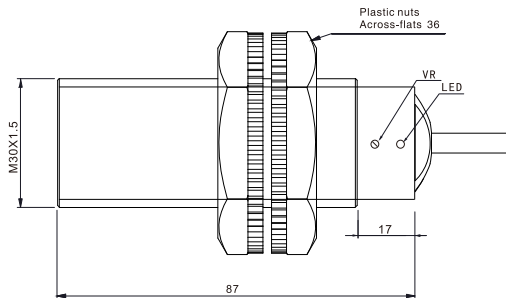


CKN18-15

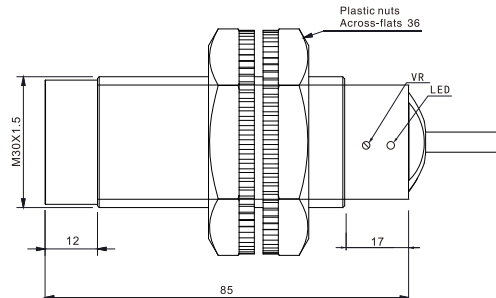


M30

CKF30-20



CKN30-30



Guidance

Inductive sensors

- Standard distance
- Extended distance
- Long distance
- Square
- Mini square
- Mini-cylindrical
- Short-body
- Ring-type
- Metal face
- Temperature
- Analog output
- DC 2 wires
- IP69K high protection

Capacitive sensors

- Cylindrical**
- Correction resistanc type
- Flat type
- Level detection

Corrosion Resistance



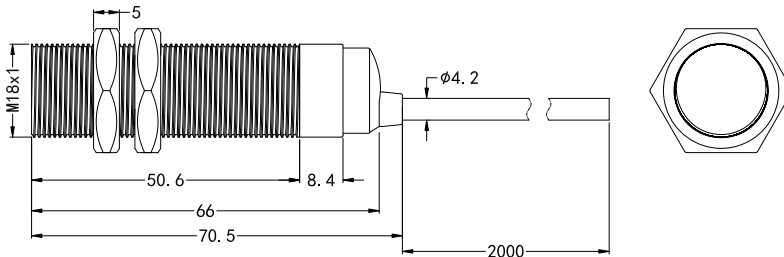
Corrosion resistance

Appearance

Mounting	Shielded
Housing size	M18
Sensing distance	1~10mm adjustable
Detectable objects	Metal、Water、Oil、Glass、Plastic、Paper
Operating voltage	12~24V DC(Ripple < 10%)
Voltage drop	< 1.5V
Load Current, Max	100mA
Current consumption	< 22mA
Leakage current	< 1.1mA
Response time	≤ 14ms
Isolation impedance	≥ 20M Ω (500V DC)
Hysteresis	< 10% (Sr)
Insulation withstand voltage	AC 1000V 60Hz lasts 60 Sec
Operating temperature	-20℃~+60℃
Degree of protection	IP66
Connection	φ 4.2X2m 4 core cable
Weight	≈ 78g
Model No.	CWF18-10NP (NPN NO/NC PNP NC/NO)

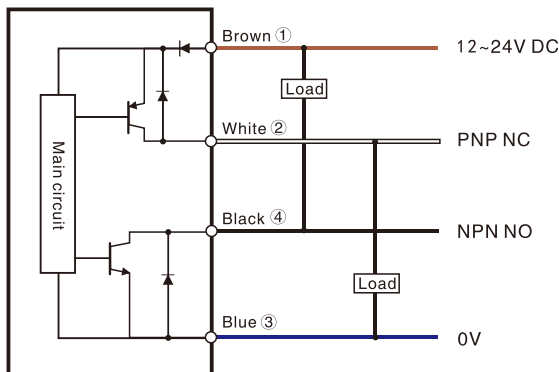
Dimensions

Unit:mm

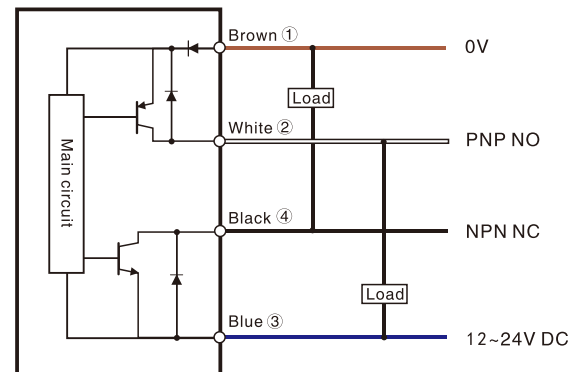


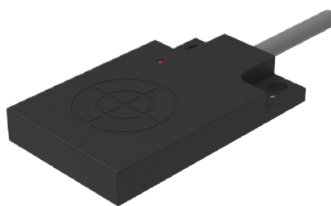
Circuit diagram

Method 1:



Method 2:





Appearance

Sensing distance	5mm(adjustable)	10mm(adjustable)
Housing material	Plastic, black/blue	
Operating voltage	24V DC(Ripple < 10%)	
Voltage drop	≤15V@1L=50mA	
Output type	NPN or PNP –NO/NC	
Load Current, Max	≤50mA	
Current consumption	≤100mA	
Switch frequency	10Hz	
Repeat accuracy	< 5%	
Operating Temperature	0°C~+60°C	
Storage temperature	-30°C~+75°C	
Temperature drift	≤20%	
Protective circuit	Reverse polarity, Over voltage pulse protection, Short circuit	
Degree of protection	IP67	
Model No.	NPN Normally open	CQ07-05 NO
	NPN Normally closed	CQ07-10 NC
	PNP Normally open	
	PNP Normally closed	

Legend: **NO**:NPN Normally open **NC**:NPN Normally closed **PO**:PNP Normally open **PC**:PNP Normally closed

Fiber Optic

Slot Sensors

Photoelectric

Laser

Proximity

Displacement

Magnetic

Contact

Area

Ultrasonic

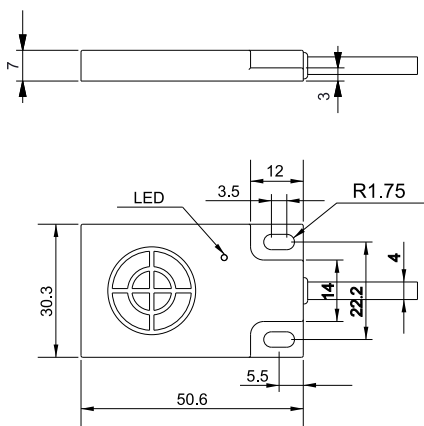
Vision

Vibration

Temperature

Annexes

Dimensions (Unit:mm)



Guidance

Inductive sensors

Standard distance

Extended distance

Long distance

Square

Mini square

Mini-cylindrical

Short-body

Ring-type

Metal face

Temperature

Analog output

DC 2 wires

IP69K high protection

Capacitive sensors

Cylindrical

Correction

resistance type

Flat type

Level detection

Liquid Level Detection

Pre-wired

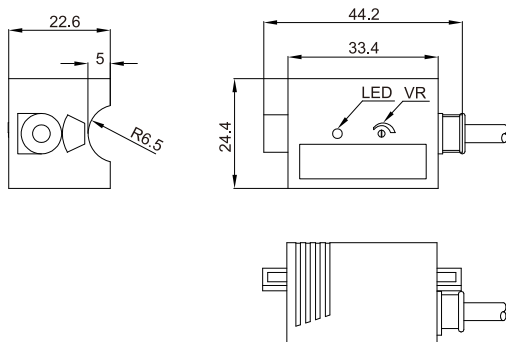


Appearance		
Mounting		Unshielded
Operating voltage		10~30V DC
Load Current, Max		150mA
Voltage drop		< 2.5V
Current consumption		< 15mA
Hysteresis		3~20%
Repeat accuracy		< 3%
Switch frequency		20Hz
Indicator		Yellow LED
Material		Nonmetal
Pipeline	External diameter	$\phi 8 \sim \phi 11$
	Wall thickness	< 1mm
Protective circuit		Reverse polarity/Short circuit
Ambient temperature		-25°C~+75°C
Degree of protection		IP67
Housing material		PBT
Connection		2mPVC Cable
Model No.	NPN Normally open	CE15-13 NO
	Others	CE30-26 NO (HOT)

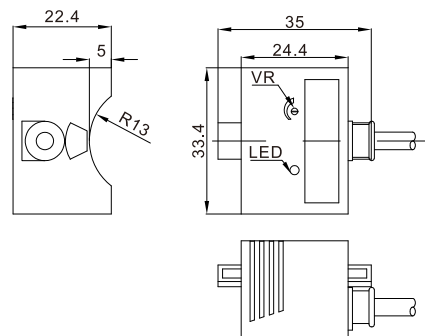
Legend: **NO**:NPN Normally open **NC**:NPN Normally closed **PO**:PNP Normally open **PC**:PNP Normally closed

Dimensions (Unit:mm)

CE15
CE15-13□□



CE30
CE30-26□□



Proximity

Fiber Optic

Slot Sensors

Photoelectric

Laser

Proximity

Displacement

Magnetic

Contact

Area

Ultrasonic

Vision

Vibration

Temperature

Annexes

Guidance

Inductive sensors

Standard distance

Extended distance

Long distance

Square

Mini square

Mini-cylindrical

Short-body

Ring-type

Metal face

Temperature

Analog output

DC 2 wires

IP69K high protection

Capacitive sensors

Cylindrical

Correction

resistance type

Flat type

Level detection

- Fiber Optic
- Slot Sensors
- Photoelectric
- Laser
- Proximity**
- Displacement
- Magnetic
- Contact
- Area
- Ultrasonic
- Vision
- Vibration
- Temperature
- Annexes

Guidance

Inductive sensors

- Standard distance
- Extended distance
- Long distance
- Square
- Mini square
- Mini-cylindrical
- Short-body
- Ring-type
- Metal face
- Temperature
- Analog output
- DC 2 wires
- IP69K high protection

Capacitive sensors

- Cylindrical
- Correction resistanc type
- Flat type
- Level detection