

Plastic square shape inductive sensors **LE80XZ** series


Features

- ◆ Special compensating circuit design;
- ◆ Wider temperature range -40~+70°C;
- ◆ Perfect choice for Cryogenic system, outdoor condition etc



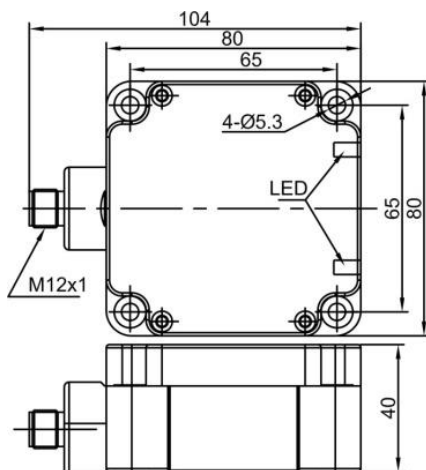
Part number

NPN NO	LE80XZSF40DNOW1-E2	LE80XZSN50DNOW1-E2	PNP NO	LE80XZSF40DPOW1-E2	LE80XZSN50DPOW1-E2
NPN NC	LE80XZSF40DNCW1-E2	LE80XZSN50DNCW1-E2	PNP NC	LE80XZSF40DPCW1-E2	LE80XZSN50DPCW1-E2
NPN NO+NC	LE80XZSF40DNRW1-E2	LE80XZSN50DNRW1-E2	PNP NO+NC	LE80XZSF40DPRW1-E2	LE80XZSN50DPRW1-E2

Technical specifications

Mounting	Flush	Non-flush	Current consumption	≤15mA	
Rated distance [Sn]	40mm	50mm	Circuit protection	Short-circuit, overload and reverse polarity	
Assured distance [Sa]	0...32mm/0...40mm		Output indicator	Yellow LED	
Dimensions	40*80*98mm		Ambient temperature	-40°C...70°C	
Output	NO/NC(depends on part number)		Ambient humidity	35...95%RH	
Supply voltage	10...30 VDC		Switching frequency [F]	100 Hz	50 Hz
Standard target	Fe120*120*1t	Fe150*150*1t	Voltage withstand	1000V/AC 50/60Hz 60s	
Switch-point drifts[%/Sr]	≤±10%		Insulation resistance	≥50MΩ(500VDC)	
Hysteresis range [%/Sr]	1...20%		Vibration resistance	10...50Hz (1.5mm)	
Repeat accuracy [R]	≤3%		Degree of protection	IP67	
Load current	≤200mA		Housing material	PBT	
Residual voltage	≤2.5V		Connection type	M12 connector	

Dimensions



Wiring diagram

