

Plastic square shape inductive sensors **LE80XZ** series


Features

- ◆ Special compensating circuit design;
- ◆ Wider tempature range $-40\sim+70^{\circ}\text{C}$;
- ◆ Perfect choice for Cryogenic system, outdoor condition etc



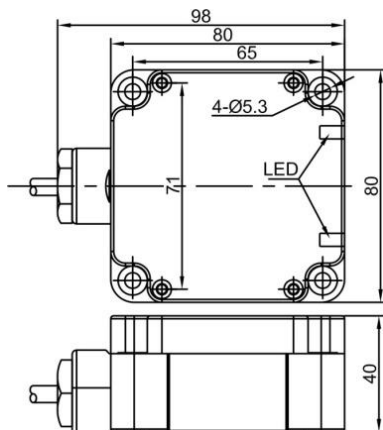
Part number

NPN NO	LE80XZSF40DNOW1-D	LE80XZSN50DNOW1-D	PNP NO	LE80XZSF40DPOW1-D	LE80XZSN50DPOW1-D
NPN NC	LE80XZSF40DNCW1-D	LE80XZSN50DNCW1-D	PNP NC	LE80XZSF40DPCW1-D	LE80XZSN50DPCW1-D
NPN NO+NC	LE80XZSF40DNRW1-D	LE80XZSN50DNRW1-D	PNP NO+NC	LE80XZSF40DPRW1-D	LE80XZSN50DPRW1-D

Technical specifications

Mounting	Flush	Non-flush	Current consumption	$\leq 15\text{mA}$	
Rated distance [Sn]	40mm	50mm	Circuit protection	Short-circuit, overload and reverse polarity	
Assured distance [Sa]	0...32mm/0...40mm		Output indicator	Yellow LED	
Dimensions	40*80*98mm		Ambient temperature	$-40^{\circ}\text{C}\dots 70^{\circ}\text{C}$	
Output	NO/NC(depends on part number)		Ambient humidity	35...95%RH	
Supply voltage	10...30 VDC		Switching frequency [F]	100 Hz	50 Hz
Standard target	Fe120*120*1t	Fe150*150*1t	Voltage withstand	1000V/AC 50/60Hz 60s	
Switch-point drifts[%/Sr]	$\leq \pm 10\%$		Insulation resistance	$\geq 50\text{M}\Omega(500\text{VDC})$	
Hysteresis range [%/Sr]	1...20%		Vibration resistance	10...50Hz (1.5mm)	
Repeat accuracy [R]	$\leq 3\%$		Degree of protection	IP67	
Load current	$\leq 200\text{mA}$		Housing material	PBT	
Residual voltage	$\leq 2.5\text{V}$		Connection type	Terminal	

Dimensions



Wiring diagram

