

Plastic square shape inductive sensors **LE40XZ** series

Features

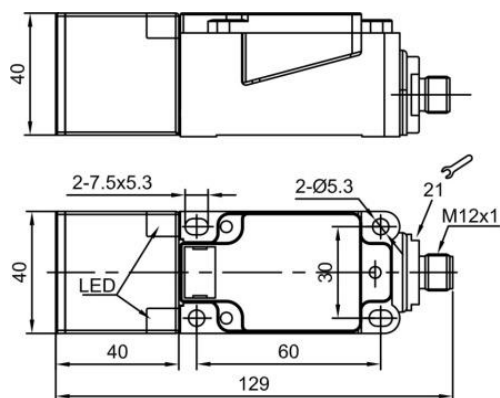
- ◆ Special compensating circuit design;
- ◆ Wider temperature range -40~+70°C;
- ◆ Perfect choice for Cryogenic system, outdoor condition etc


Part number

| | | | | | |
|-----------|--------------------|--------------------|-----------|--------------------|--------------------|
| NPN NO | LE40XZSF15DNOW1-E2 | LE40XZSN20DNOW1-E2 | PNP NO | LE40XZSF15DPOW1-E2 | LE40XZSN20DPOW1-E2 |
| NPN NC | LE40XZSF15DNCW1-E2 | LE40XZSN20DNCW1-E2 | PNP NC | LE40XZSF15DPCW1-E2 | LE40XZSN20DPCW1-E2 |
| NPN NO+NC | LE40XZSF15DNRW1-E2 | LE40XZSN20DNRW1-E2 | PNP NO+NC | LE40XZSF15DPRW1-E2 | LE40XZSN20DPRW1-E2 |

Technical specifications

| | | | | | |
|---------------------------|-------------------------------|------------|-------------------------|--|--------|
| Mounting | Flush | Non-flush | Current consumption | ≤15mA | |
| Rated distance [Sn] | 15mm | 20mm | Circuit protection | Short-circuit, overload and reverse polarity | |
| Assured distance [Sa] | 0...12mm0...16mm | | Output indicator | Yellow LED | |
| Dimensions | 40*40*129mm | | Ambient temperature | -40°C...70°C | |
| Output | NO/NC(depends on part number) | | Ambient humidity | 35...95%RH | |
| Supply voltage | 10...30 VDC | | Switching frequency [F] | 300 Hz | 200 Hz |
| Standard target | Fe 45*45*1t | Fe60*60*1t | Voltage withstand | 1000V/AC 50/60Hz 60s | |
| Switch-point drifts[%/Sr] | ≤±10% | | Insulation resistance | ≥50MΩ(500VDC) | |
| Hysteresis range [%/Sr] | 1...20% | | Vibration resistance | 10...50Hz (1.5mm) | |
| Repeat accuracy [R] | ≤3% | | Degree of protection | IP67 | |
| Load current | ≤200mA | | Housing material | PBT | |
| Residual voltage | ≤2.5V | | Connection type | M12 connector | |

Dimensions

Wiring diagram
