

Plastic square shape inductive sensors **LE40SZ** series


## Features

- ◆ Special compensating circuit design;
- ◆ Wider tempature range -25~+100°C;
- ◆ Perfect choice for metal casting and glass industry etc;



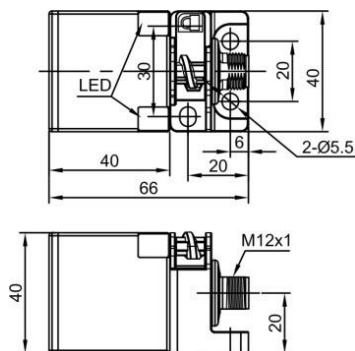
## Part number

NPN NO	LE40SZSF15DNOW2-E2	LE40SZSN20DNOW2-E2	PNP NO	LE40SZSF15DPOW2-E2	LE40SZSN20DNOW2-E2
NPN NC	LE40SZSF15DNCW2-E2	LE40SZSN20DNCW2-E2	PNP NC	LE40SZSF15DPCW2-E2	LE40SZSN20DNCW2-E2
NPN NO+NC	LE40SZSF15DNRW2-E2	LE40SZSN20DNRW2-E2	PNP NO+NC	LE40SZSF15DPRW2-E2	LE40SZSN20DNRW2-E2

## Technical specifications

Mounting	Flush	Non-flush	Current consumption	≤15mA	
Rated distance [Sn]	15mm	20mm	Circuit protection	Reverse polarity protection	
Assured distance [Sa]	0...12mm/0...16mm		Output indicator	Yellow LED	
Dimensions	40*40*66mm		Ambient temperature	-25°C...+100°C	
Output	NO/NC(depends on part number)		Ambient humidity	35...95%RH	
Supply voltage	10...30 VDC		Switching frequency [F]	300 Hz	200 Hz
Standard target	Fe 45*45*1t	Fe 60*60*1t	Voltage withstand	1000V/AC 50/60Hz 60s	
Switch-point drifts[%/Sr]	≤±10%		Insulation resistance	≥50MΩ(500VDC)	
Hysteresis range [%/Sr]	1...20%		Vibration resistance	10...50Hz (1.5mm)	
Repeat accuracy [R]	≤5%		Degree of protection	IP67	
Load current	≤150mA		Housing material	PBT	
Residual voltage	≤2.5V		Connection type	M12 connector	

## Dimensions



## Wiring diagram

